

515nm~520nm 80mw~100mw Laser Diode| High power Green LD | TO18 Package

520nm LD| 100mw Power|5.6mm Package Green diode laser

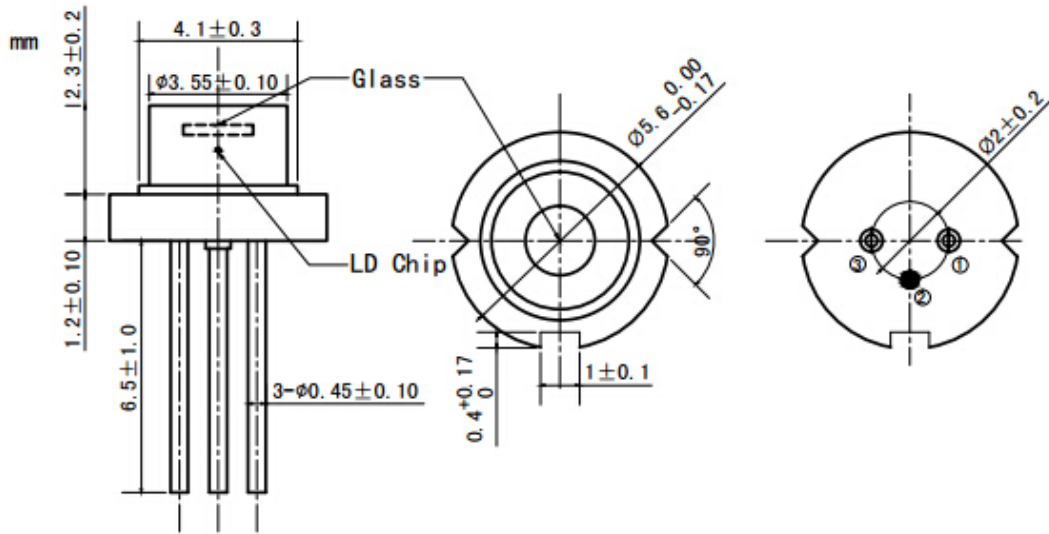
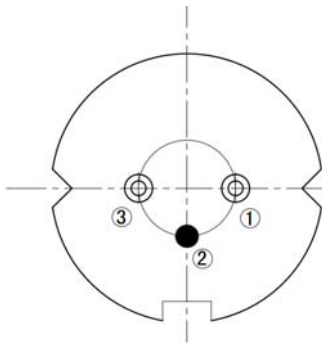
WSLD-520-100m-1

Wavespectrum Laser Group.

www.wavespectrum-laser.com

520nm Laser Diode		100mw		Wavespectrum Laser Group	
PARAMETER	SYMBOL	VALUE		UNIT	
Reverse Voltage	$V_r$	2.0		V	
Operating Temperature	$T_{op}$	0 ~ +60		°C	
Storage Temperature	$T_{stg}$	-40 ~ +85		°C	
Lead soldering temperature (10 sec.)	$T_{is}$	260		°C	
<b>Features:</b> <ul style="list-style-type: none"> <li>520nm</li> <li>100mW</li> <li>5.6mm Package</li> </ul>					
<b>Applications:</b> <ul style="list-style-type: none"> <li>Medical laser treatment</li> <li>Laser indicator</li> <li>Laser detector</li> </ul>					
<b>Specifications</b>		<b>WSLD-520-100m-1</b>			
		Min	Type	Max	
Center Wavelength@25°C		510nm	520nm	530nm	
Spectral Width (FWHM)		2.0nm			
Output Power		80mW	----	100mW	
Laser mode		Multimode			
Beam Divergence (FWHM)		$4^\circ \perp \times 18^\circ //$	$7^\circ \perp \times 21^\circ //$	$12^\circ \perp \times 26^\circ //$	
Threshold Current (Typ.)		----	150mA	250mA	
Operating Current (Typ.)		----	360mA	400mA	
Operating Voltage		----	6.5V	7.5V	
Package Style		TO18			



**PIN Bottom View:**

**PIN Bottom View:**


1	LD(+)
2	GND
3	LD(-)

Electrically shorten LD module and store in non-extreme conditions.

Suggest using the constant current power supply.

